

NOTES:

PLANS FOR ALL INTERCEPTORS MUST BE SUBMITTED TO THE CITY FOR APPROVAL. PLANS MUST SHOW ALL DIMENSIONS, REINFORCED STEEL AND LOCATION ON THE SITE.

TANK SHALL BE DESIGNED TO H20 LOADING IF USED IN TRAFFIC OR PARKING AREA.

WALLS SHALL BE A MIN. OF 3" THICK

CONCRETE SHALL HAVE A MINIMUM COMPRESSIVE STRENGTH OF 4000 PSI.

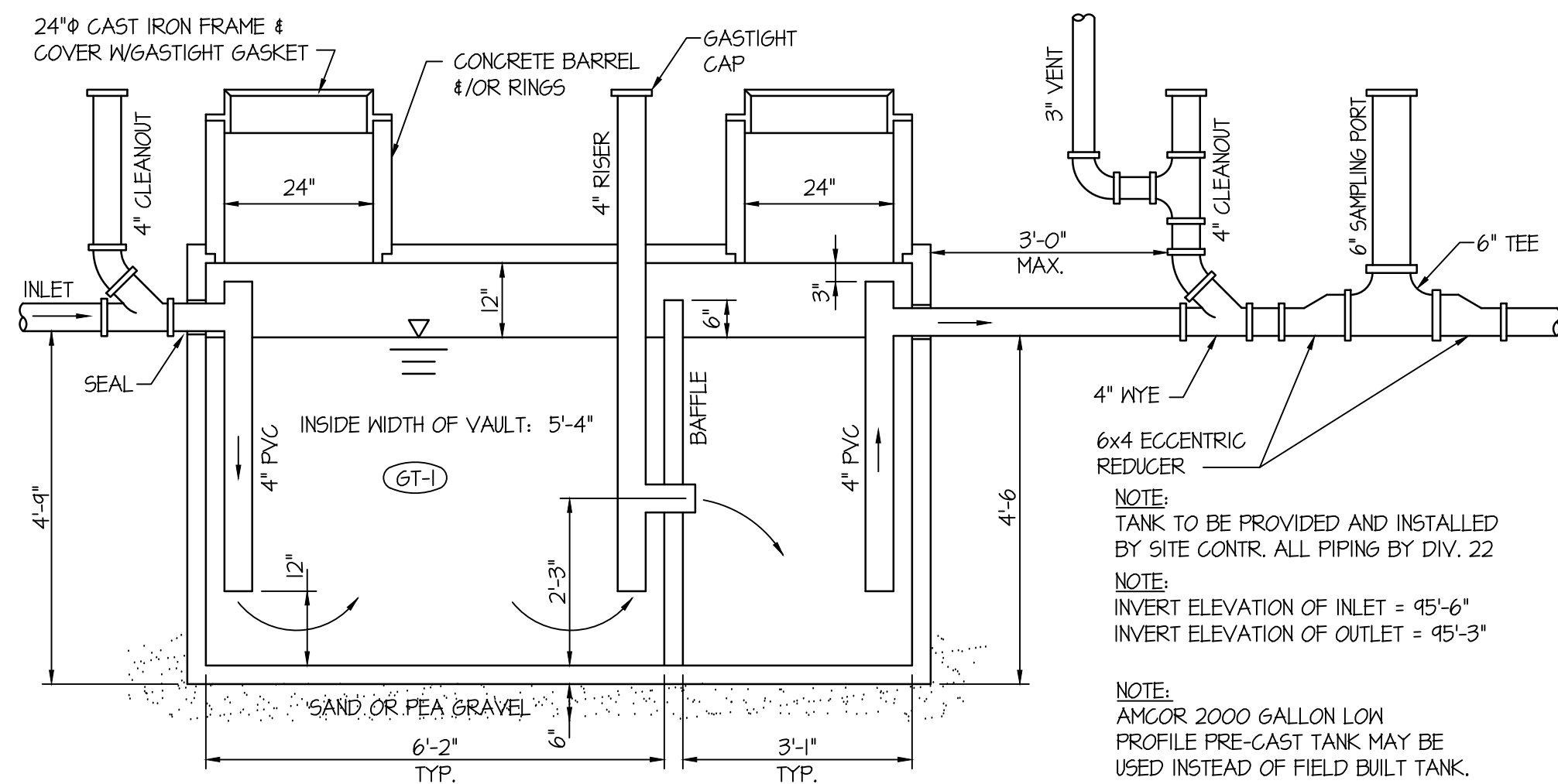
TANKS SHALL BE CERTIFIED BY AN INDEPENDENT LAB FOR CAPACITY & STRUCTURAL STABILITY.

INTERNAL PIPING SHALL BE BRACED. ALL BRACKETS, NUTS AND BOLTS SHALL BE STAINLESS STEEL.

TANKS SHALL BE PERMANENTLY & LEGIBLY MARKED W/MANUFACTURER'S NAME, MODEL AND DATE.

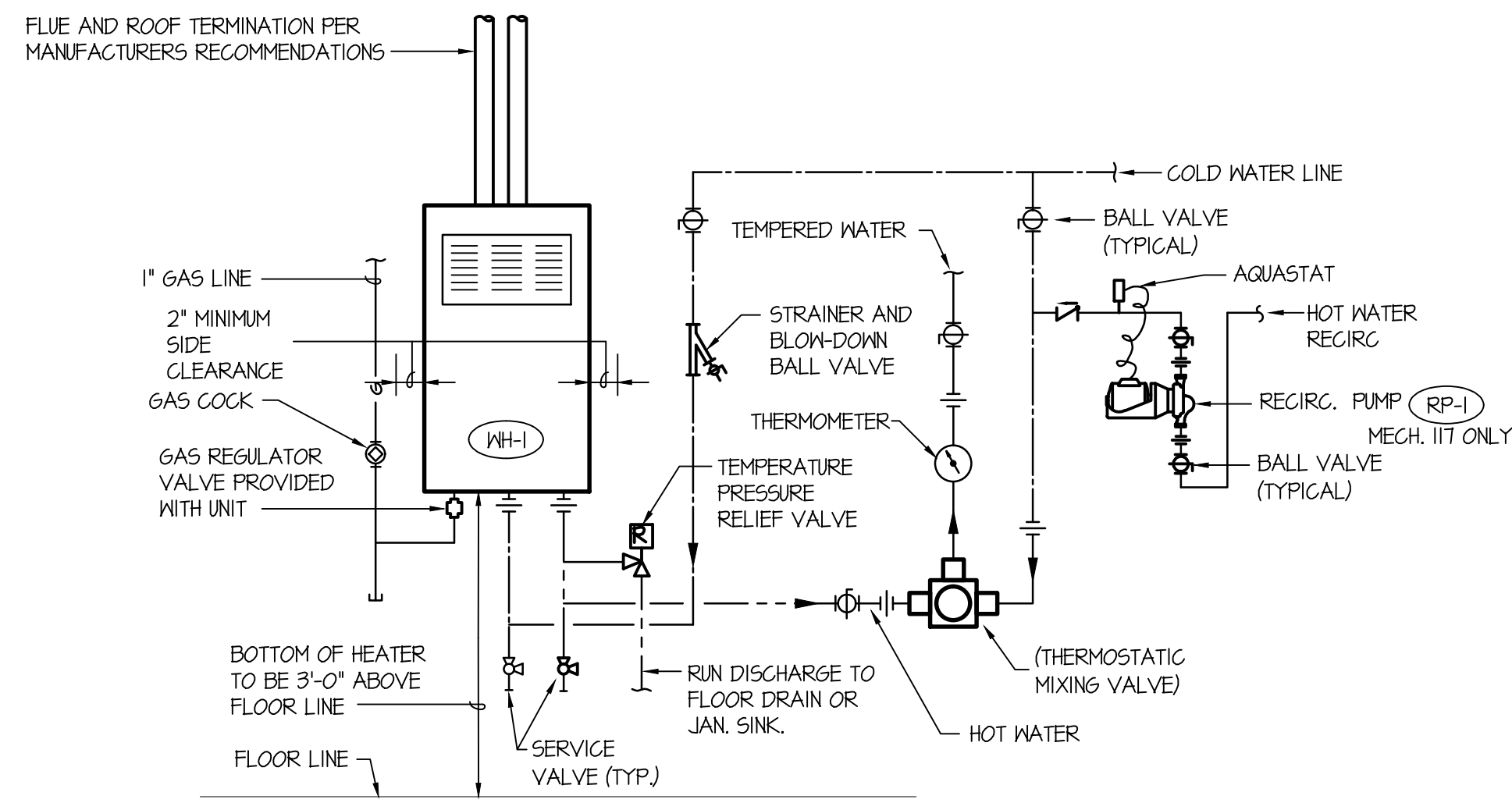
TANKS MUST BE FILLED WITH CLEAN WATER PRIOR TO BACKFILLING FOR LEAK INSPECTION, THEN BACKFILL TO THE FLOW LINE PRIOR TO REQUESTING SECOND INSPECTION.

INTERCEPTOR SHALL BE PLACED AS CLOSE AS PRACTICAL TO THE FIXTURES BEING SERVED AND AWAY FROM MAIN DOOR TO THE BUILDING.



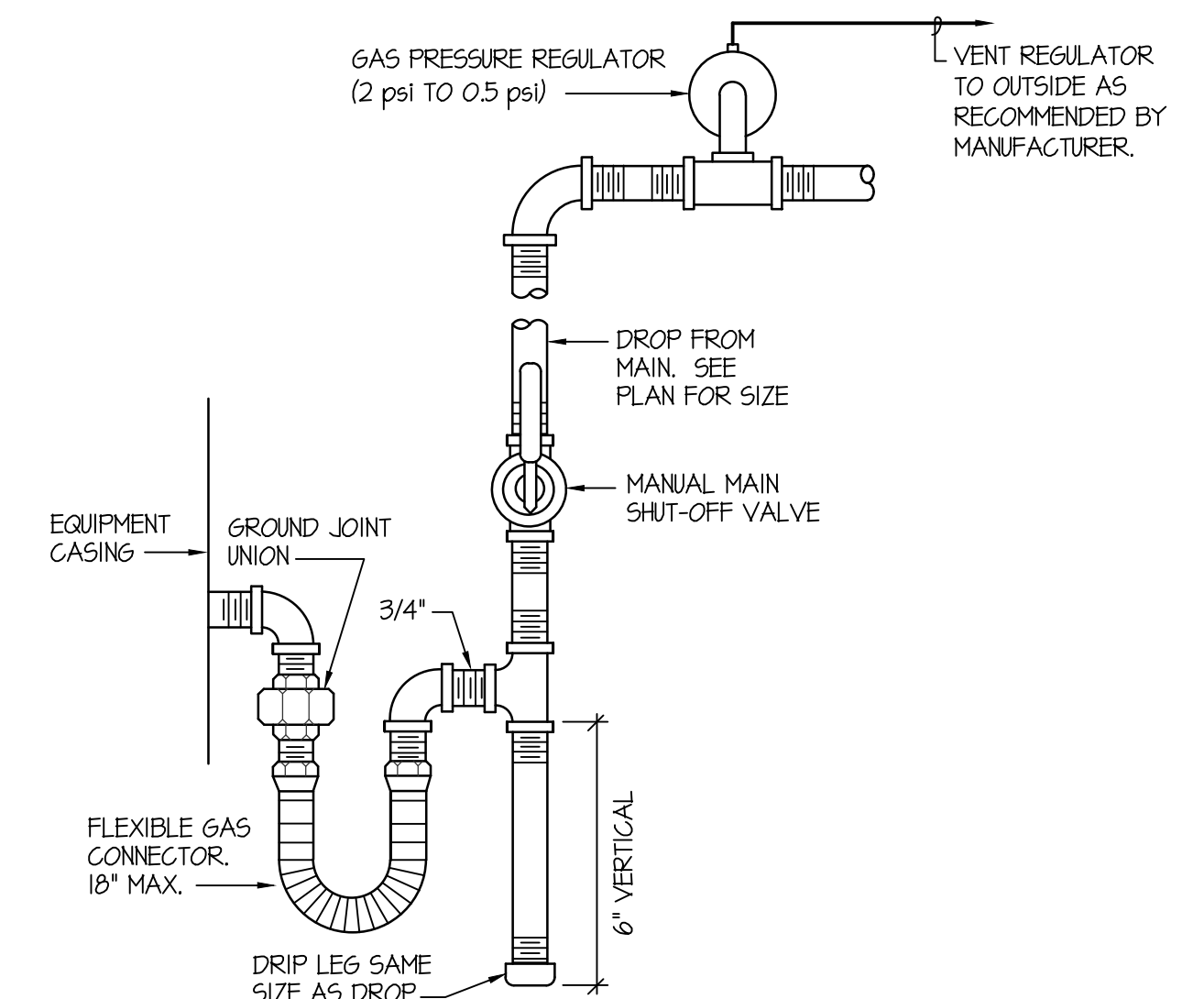
SAND AND GREASE INTERCEPTOR DETAIL

NO SCALE



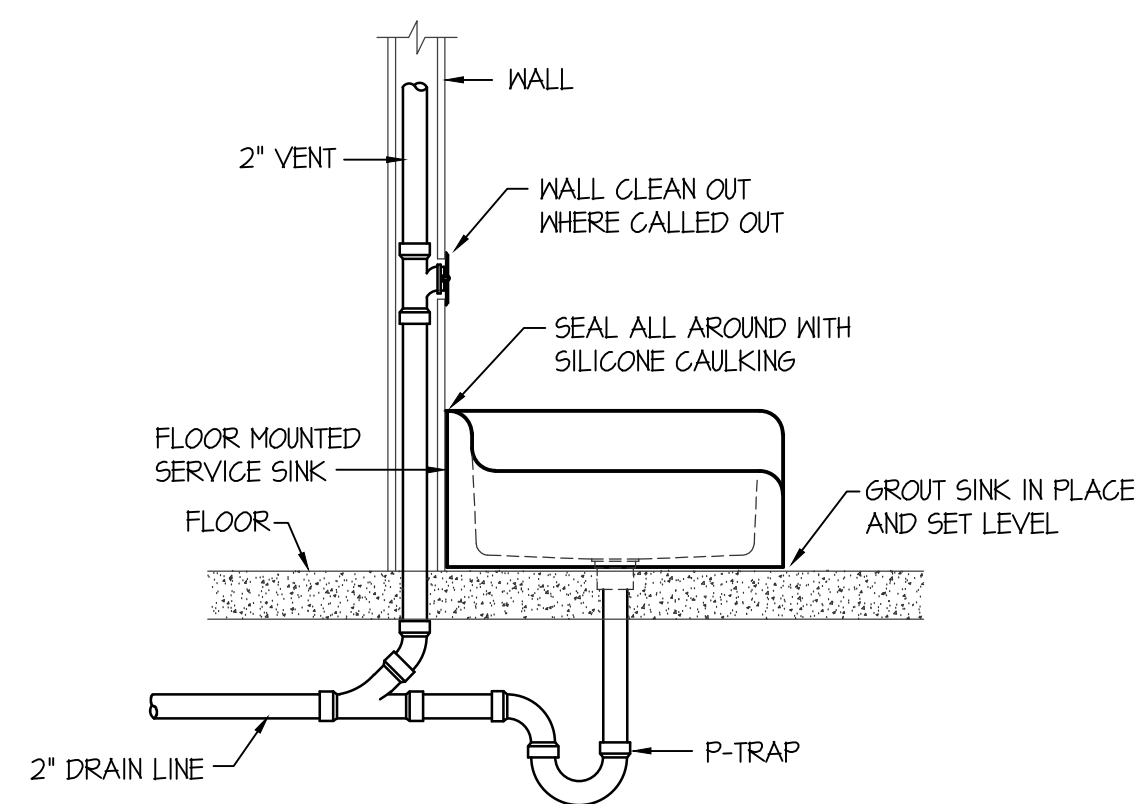
TANKLESS WATER HEATER & MIXING VALVE DETAIL

NO SCALE



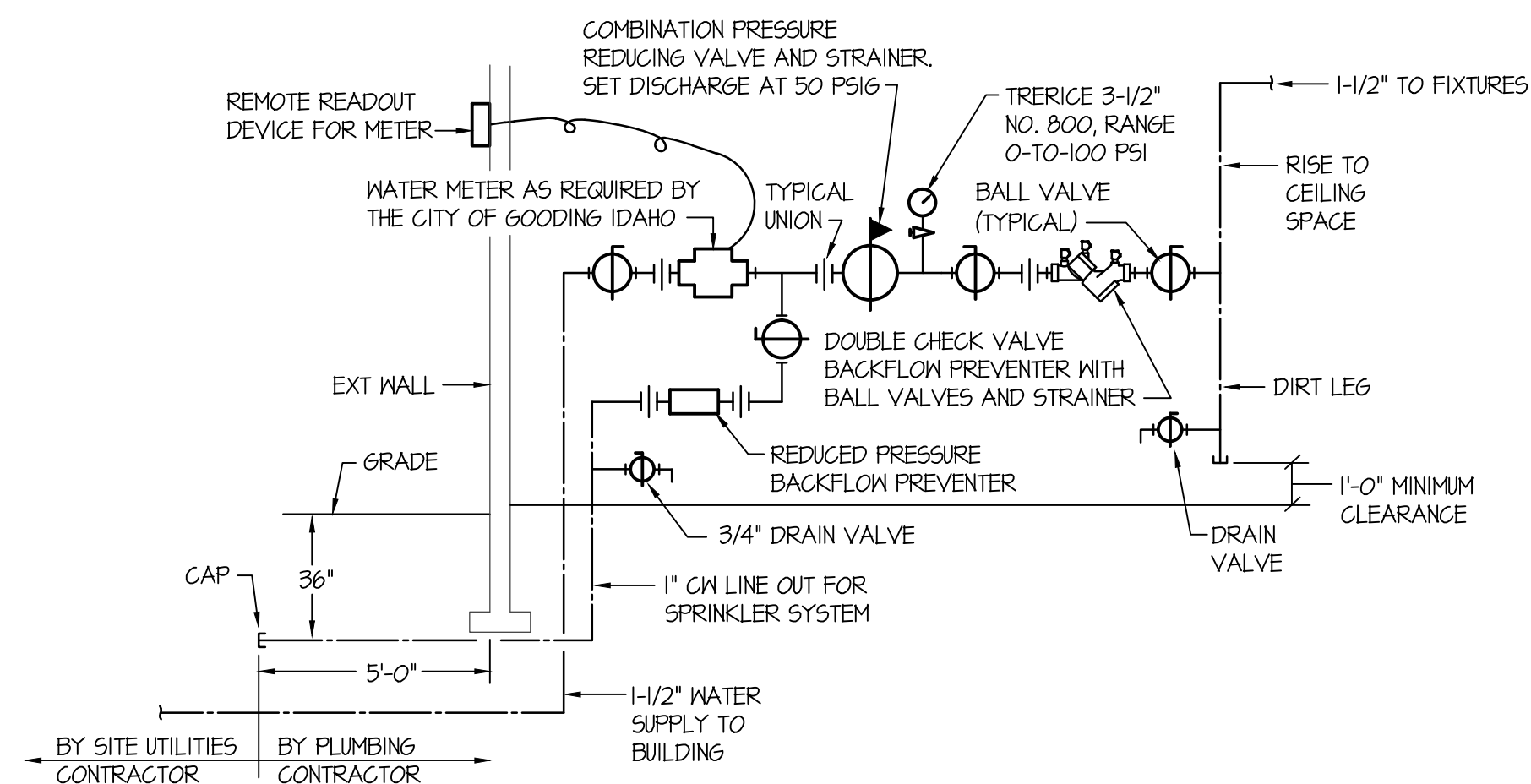
GAS LINE CONNECTION DETAIL

NO SCALE



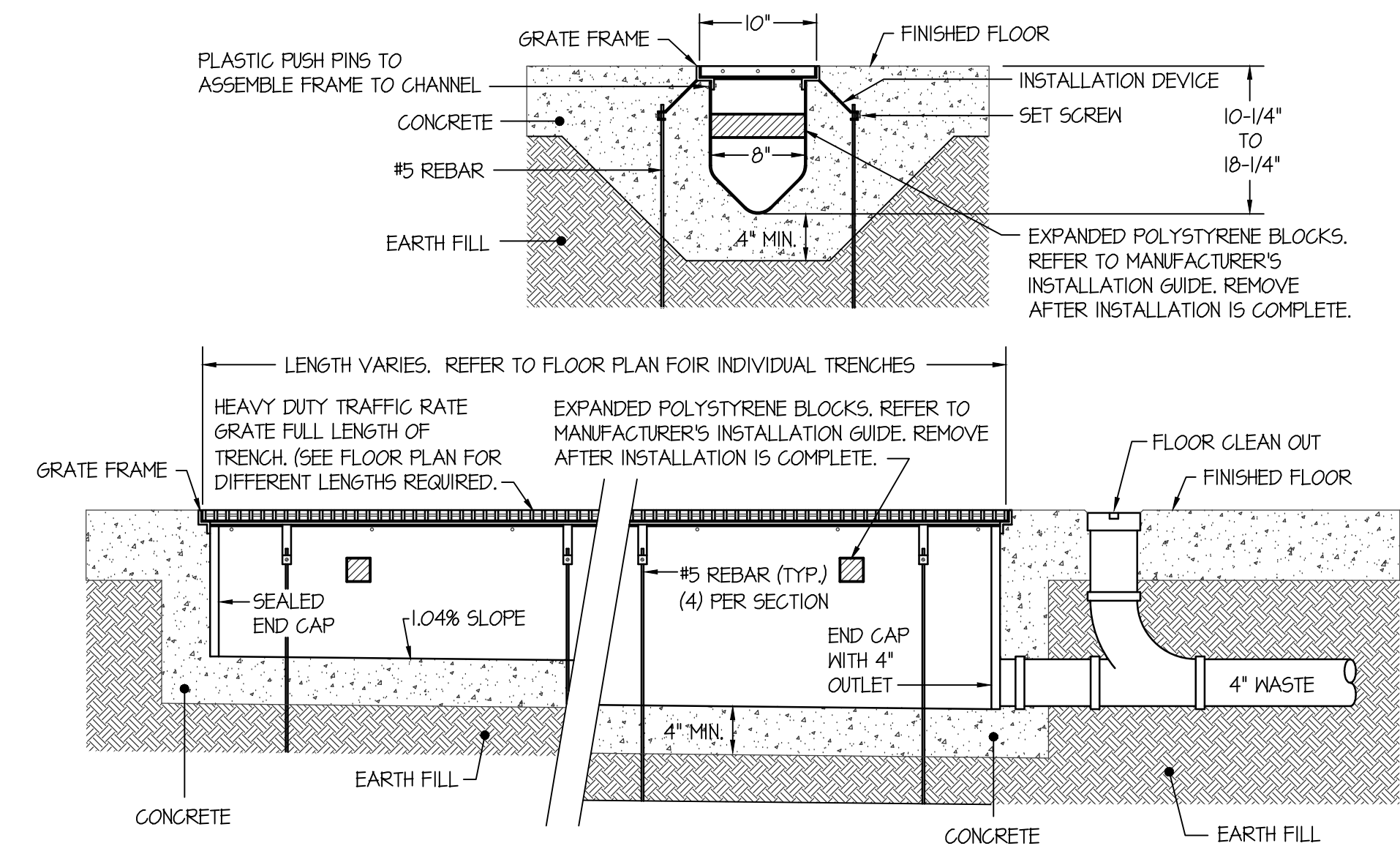
SERVICE SINK INSTALLATION DETAIL

NO SCALE



WATER PRESSURE REDUCING STATION DETAIL

NO SCALE



TRENCH DRAIN INSTALLATION DETAILS

NO SCALE

F:\V\13055 GOODING FIRE STATION\13055 P-2.dwg Sep 20, 2014 - 4:45pm



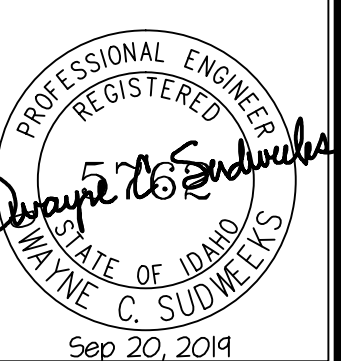
Engineered Systems Associates
Mechanical Engineers

Dwayne Sudweeks
1355 East Center - Pocatello, Idaho 83201
Phone: (208) 233-0501 Fax: (208) 233-0529 email: esa@engsystems.com

A NEW BUILDING FOR:
GOODING FIRE DEPARTMENT
GOODING, IDAHO

PLUMBING DETAILS

PROJECT:



DRWN. BY:	CRD. BY:
SR	DCS
JOB NO.	DATE:
13055	AUG. 2014

SHEET:
P-2
OF: THREE